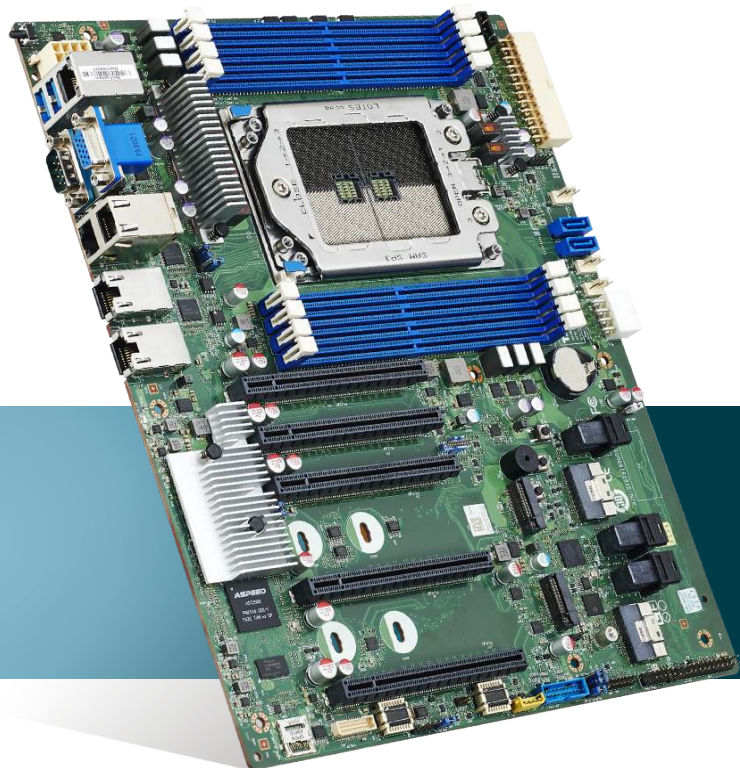


AMD EPYC 7002/7003 SERVER MOTHERBOARD



Tomcat SX S8030 (Version O0Y)

S8030GM2NE, S8030GM4NE-2T

AMD
EPYC



nvm
EXPRESS



■ AMD EPYC™ 7002/7003 Series Processors

Single-socket Compact Motherboard Designed for General Server

- Single SP3 Socket, supporting (1) AMD EPYC™ 7002/7003 Series Processors
- (8) R/LRDIMM DDR4 3200, Up to 512GB RDIMM or 1,024GB LRDIMM
- (5) PCI-E Gen4 x16 slots
- ATX 12" x 9.9"

■ Summary Table

SKU	Storage	Networking
S8030GM2NE	(14) SATA + (4) NVMe + (2) M.2	(2) GbE + (1) IPMI
S8030GM4NE-2T	(14) SATA + (4) NVMe + (2) M.2	(2) 10GbE + (2) GbE + (1) IPMI

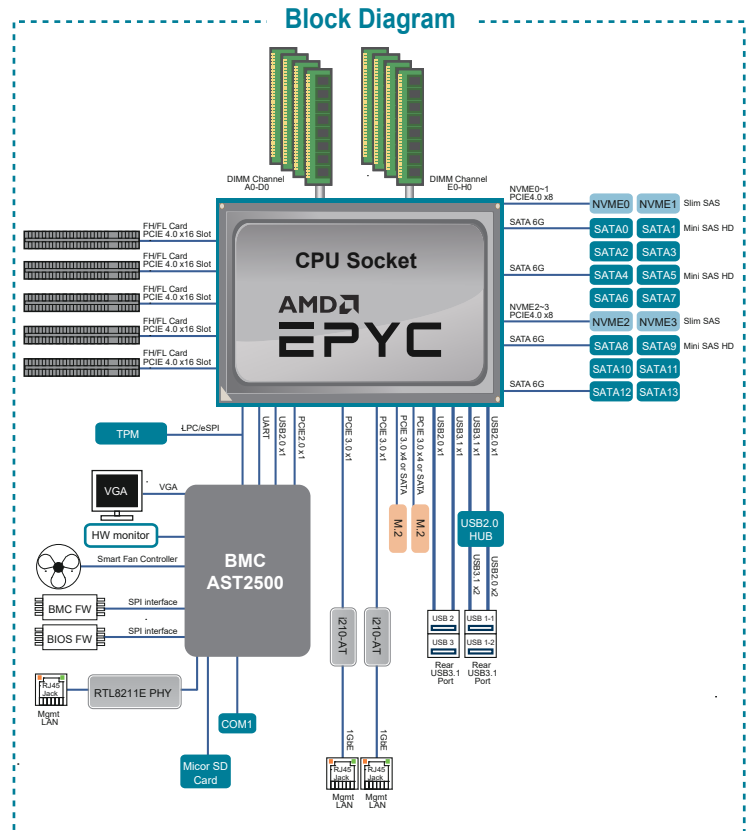


Tomcat SX S8030

S8030GM2NE

TYAN Specifications

Processor	Q'ty / Socket Type	(1) AMD Socket SP3	
	Supported CPU Series	(1) AMD® EPYC™ 7002/7003 Series Processor	
	Configurable Thermal Design Power (cTDP) Wattage	Max up to 280W	
Memory	Supported DIMM Q'ty	(8) DIMM slots	
	DIMM Type / Speed	DDR4 ECC RDIMM/RDIMM 3DS/LRDIMM/LRDIMM 3DS 3200	
	Capacity	Up to 512GB RDIMM/ 1,024GB LRDIMM/ 2,048GB LRDIMM 3DS *Follow latest AMD DDR4 Memory POR	
	Memory channel	8 Channels	
	Memory voltage	1.2V	
Expansion Slots	PCI-E	(5) PCI-E Gen4 x16 slots	
LAN	Port Q'ty	(2) GbE + (1) dedicated GbE for IPMI	
	Controller	Intel® I210	
Storage	SATA	Connector	(2) SATA
		Controller	Direct from AMD EPYC CPU
		Speed	6Gb/s
		RAD	N/A
	NVMe	Connector (U.2)	(2) SFF-8654 connectors for up to (4) NVMe ports
Connector (M.2)		(2) 22110/2280 (by PCI-E Gen3 interface)	
Graphic	Connector type	D-Sub 15-pin	
	Resolution	Up to 1920x1200	
	Chipset	Aspeed AST2500	
Input/Output	USB	(2) USB3.1 Gen1 ports (@ rear)	
	COM	(1) header	
	VGA	(1) D-Sub 15-pin VGA port (@ rear)	
	Power	ATX 24-pin + (2) 8-pin power connectors	
	RJ-45	(2) GbE ports, (1) GbE dedicated for IPMI	
	Front Panel	(1) 2x12-pin SSI front panel header	
TPM (Optional)	TPM Support	Please refer to our TPM supported list.	
	Chipset	Aspeed AST2500	
	Fan	Total (4) 4-pin headers (OOY version)	
	Voltage	Monitors voltage for CPU, memory, chipset & power supply	
	Temperature	Monitors temperature for CPU & memory & system environment	
	LED	Fan fail LED indicator, Over temperature warning indicator, Fan & PSU fail LED indicator	
System Monitoring	Others	Watchdog timer support	
	AST2500 iKVM Feature	24-bit high quality video compression / Supports storage over IP and remote platform-flash / USB 2.0 virtual hub	
	AST2500 IPMI Feature	IPMI 2.0 compliant baseboard management controller (BMC) / 10/100/1000 Mb/s MAC interface	
	Brand / ROM size	AMI / 32MB	
	Feature	Hardware Monitor, Boot from USB device/PXE via LAN/Storage, User Configurable FAN PWM Duty Cycle, Console Redirection, ACPI sleeping states S0, S5, ACPI 6.2 & SMBIOS 3.2/PnP/Wake on LAN	



Physical Dimension	Form Factor	ATX
	Board Dimension	12" x 9.9" (305 x 250.8mm)
Operating System	OS supported list	Please refer to our AVL support lists.
	FCC (SDoC)	Class A
Regulation	CE (DoC)	Class A
	Operating Temp.	10° C ~ 35° C (50° F ~ 95° F)
Operating Environment	Non-operating Temp.	- 40° C ~ 70° C (-40° F ~ 158° F)
	In/Non-operating Humidity	90%, non-condensing at 35° C Non-operating Relative Humidity: 10% to 95% (non-condensing)
RoHS	RoHS 6/6 Compliant	Yes

(Specifications are subject to change without notice. Items pictured may only be representative.)

MiTAC Computing Technology Corp

USA
Tel: +1-510-651-8868
Fax: +1-510-651-7688

Taiwan
Tel: +886-3-327-5988
Fax: +886-3-327-6312

China
Shanghai Tel: +86-021-61431188 #1361
China Tel: +86-010-62381108 #2485

Japan
Tel: +81-3-3769-8311
Fax: +81-3-3769-8328

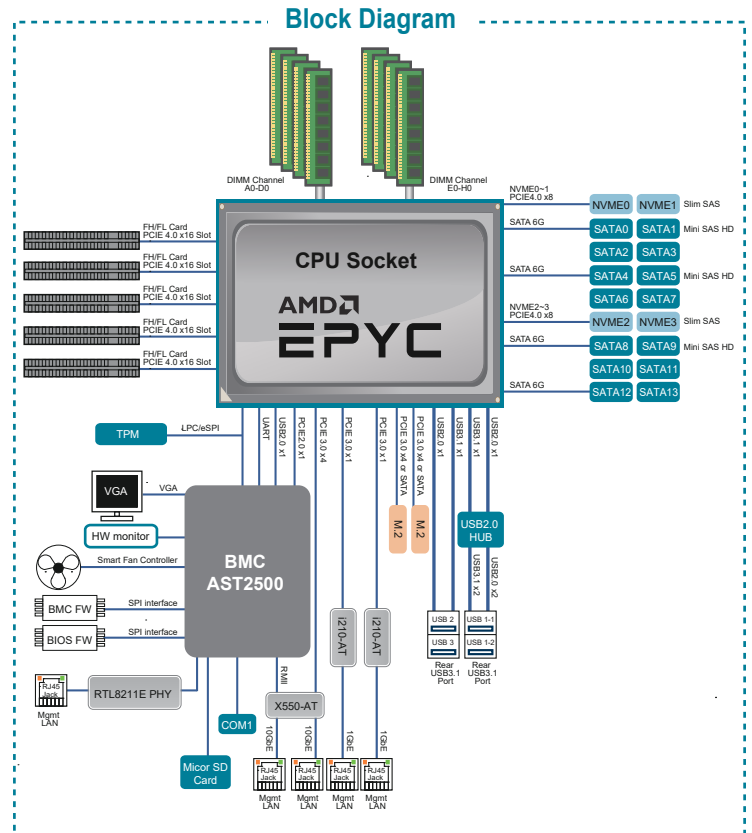
EMEA
Tel: +44 07540328523
Email: robin.daunter@tyan.com

Tomcat SX S8030

S8030GM4NE-2T

TYAN Specifications

Processor	Q'ty / Socket Type	(1) AMD Socket SP3	
	Supported CPU Series	(1) AMD® EPYC™ 7002/7003 Series Processor	
	Configurable Thermal Design Power (cTDP) Wattage	Max up to 280W	
Memory	Supported DIMM Q'ty	(8) DIMM slots	
	DIMM Type / Speed	DDR4 ECC RDIMM/RDIMM 3DS/LRDIMM/LRDIMM 3DS 3200	
	Capacity	Up to 512GB RDIMM/ 1,024GB LRDIMM/ 2,048GB LRDIMM 3DS *Follow latest AMD DDR4 Memory POR	
	Memory channel	8 Channels	
	Memory voltage	1.2V	
Expansion Slots	PCI-E	(5) PCI-E Gen4 x16 slots	
LAN	Port Q'ty	(2) 10GbE ports + (2) GbE ports + (1) GbE dedicated for IPMI	
	Controller	Intel® I210-AT Intel® X550-BT2	
Storage	SATA	Connector	(2) SATA (3) SFF-8643 connectors for up to (12) SATA ports
		Controller	Direct from AMD EPYC CPU
		Speed	6Gb/s
	NVMe	Connector (U.2)	(2) SFF-8654 connectors for up to (4) NVMe ports
		Connector (M.2)	(2) 22110/2280 (by PCI-E Gen3 interface)
Graphic	Connector type	D-Sub 15-pin	
	Resolution	Up to 1920x1200	
	Chipset	Aspeed AST2500	
Input / Output	USB	(2) USB3.1 Gen1 ports (@ rear)	
	COM	(1) header	
	VGA	(1) D-Sub 15-pin VGA port (@ rear)	
	Power	ATX 24-pin + (2) 8-pin power connectors	
	RJ-45	(2) 10GbE ports + (2) GbE ports + (1) GbE dedicated for IPMI	
	Front Panel	(1) 2x12-pin SSI front panel header + (2) 1x2 header	
	SATA	(2) SATA-III connectors (12) SATA ports from (3) Mini SAS HD connectors	
TPM (Optional)	TPM Support	Please refer to our TPM supported list.	
System Monitoring	Chipset	Aspeed AST2500	
	Fan	Total (4) 4-pin headers (OOV version)	
	Voltage	Monitors voltage for CPU, memory, chipset & power supply	
	Temperature	Monitors temperature for CPU & memory & system environment	
	LED	Fan fail LED indicator, Over temperature warning indicator, Fan & PSU fail LED indicator	
Server Management	Others	Watchdog timer support	
	AST2500 IKVM Feature	24-bit high quality video compression / Supports storage over IP and remote platform-flash / USB 2.0 virtual hub	
	AST2500 IPMI Feature	IPMI 2.0 compliant baseboard management controller (BMC) / 10/100/1000 Mb/s MAC interface	
BIOS	Brand / ROM size	AMI / 32MB	
	Feature	Hardware Monitor, Boot from USB device/PXE via LAN/Storage, User Configurable FAN PWM Duty Cycle, Console Redirection, ACPI sleeping states S0, S5, ACPI 6.2 & SMBIOS 3.2/PnP/Wake on LAN	



Physical Dimension	Form Factor	ATX
	Board Dimension	12" x 9.9" (305 x 250.8mm)
Operating System	OS supported list	Please refer to our AVL support lists.
Regulation	FCC (SDoC)	Class A
	CE (DoC)	Class A
Operating Environment	Operating Temp.	10° C ~ 35° C (50° F ~ 95° F)
	Non-operating Temp.	- 40° C ~ 70° C (-40° F ~ 158° F)
	In/Non-operating Humidity	90%, non-condensing at 35° C Non-operating Relative Humidity: 10% to 95% (non-condensing)
RoHS	RoHS 6/6 Compliant	Yes

(Specifications are subject to change without notice. Items pictured may only be representative.)

MiTAC Computing Technology Corp

USA
Tel: +1-510-651-8868
Fax: +1-510-651-7688

Taiwan
Tel: +886-3-327-5988
Fax: +886-3-327-6312

China
Shanghai Tel: +86-021-61431188 #1361
China Tel: +86-010-62381108 #2485

Japan
Tel: +81-3-3769-8311
Fax: +81-3-3769-8328

EMEA
Tel: +44 07540328523
Email: robin.daunter@tyan.com